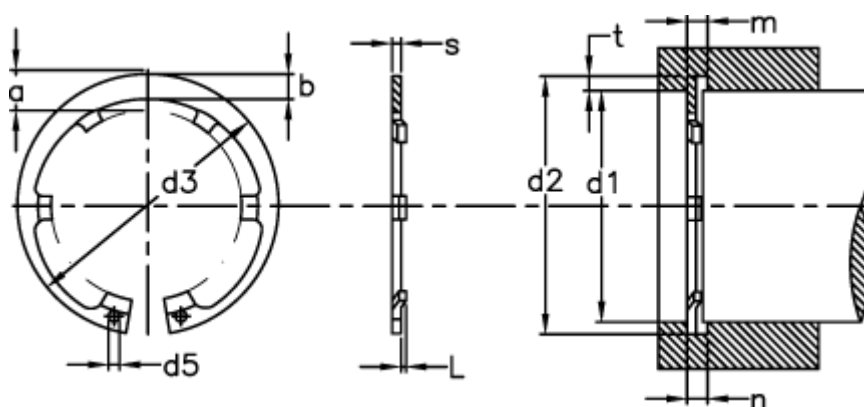


Article number: 0121057

Description: Retaining ring JL 40X1,75
Spring steel

Measures



a max	= 7.2	FL max kN	= 1.09	s	= 1.75
b	= 4.0	FN kN	= 27.0	tol	= 0.25
C kN/mm	= 2.42	FRg kN	= 8.30	tol	= +0,90 -0,39
d1	= 40	FR kN	= 44.60	u	= 0.10
d2	= 42.5	g	= 2.0		
d3	= 43.5	L min	= 0.55		
d5 min	= 2.5	m min	= 1.85		
Description	= AL 40	Nominal drive	= 3.8		